



## ELECTRICAL SPECIFICATIONS

Frequency Range: 2.4-2.5 / 5.1-5.85 GHz  
 Gain: 8 dBi  
 Polarization: 2 Vertical, 2 Horizontal  
 Horizontal Beamwidth: 125° / 114°  
 Vertical Beamwidth: 35° / 24°  
 VSWR: <1.5:1 Max: 2.0  
 Isolation: >20dB  
 Impedance: 50 Ω



## MECHANICAL SPECIFICATIONS

Dimensions: 12.6" x 6.7" x 1.4" (320mm x 170mm x 35mm)  
 Radome Material: ABS  
 Connector: N-Style Plug  
 Number of Leads: 4

Cable Length: 36" (910mm)  
 Cable Type: ATS-195



## ENVIRONMENTAL SPECIFICATIONS

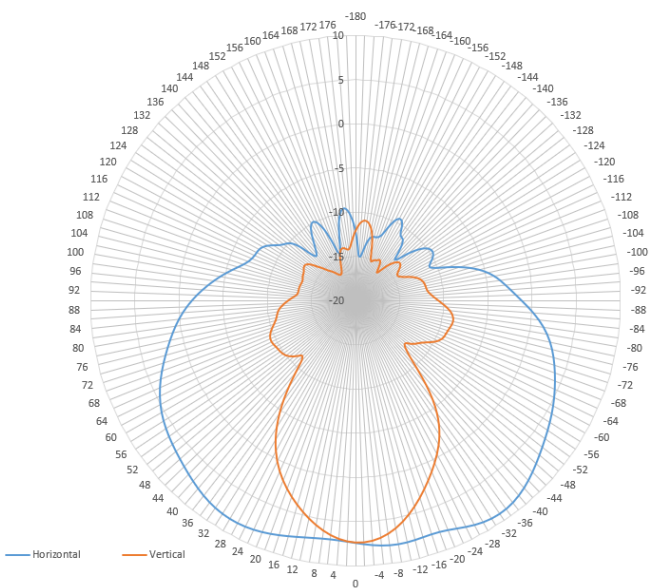
Installation Environment: Indoor/Outdoor

## WARRANTY

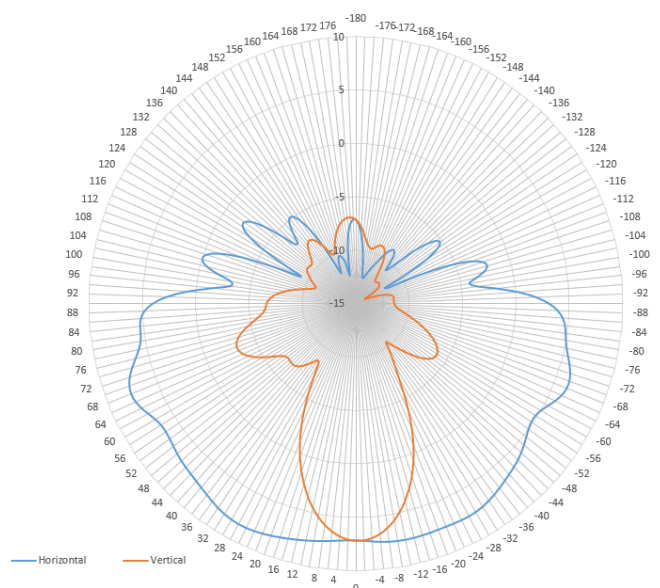
2 Year Limited Warranty

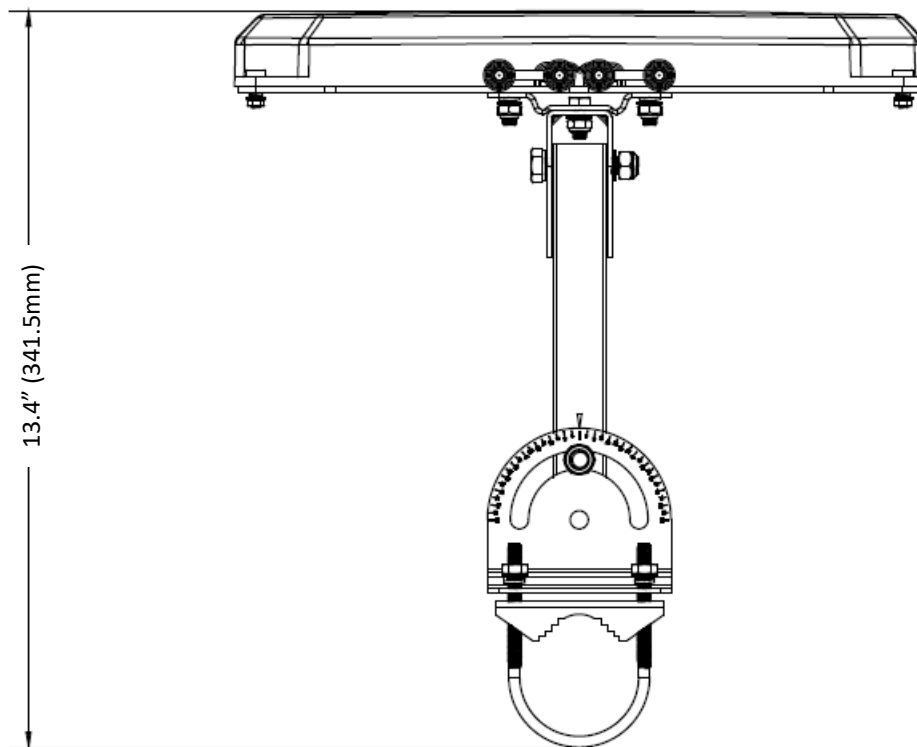
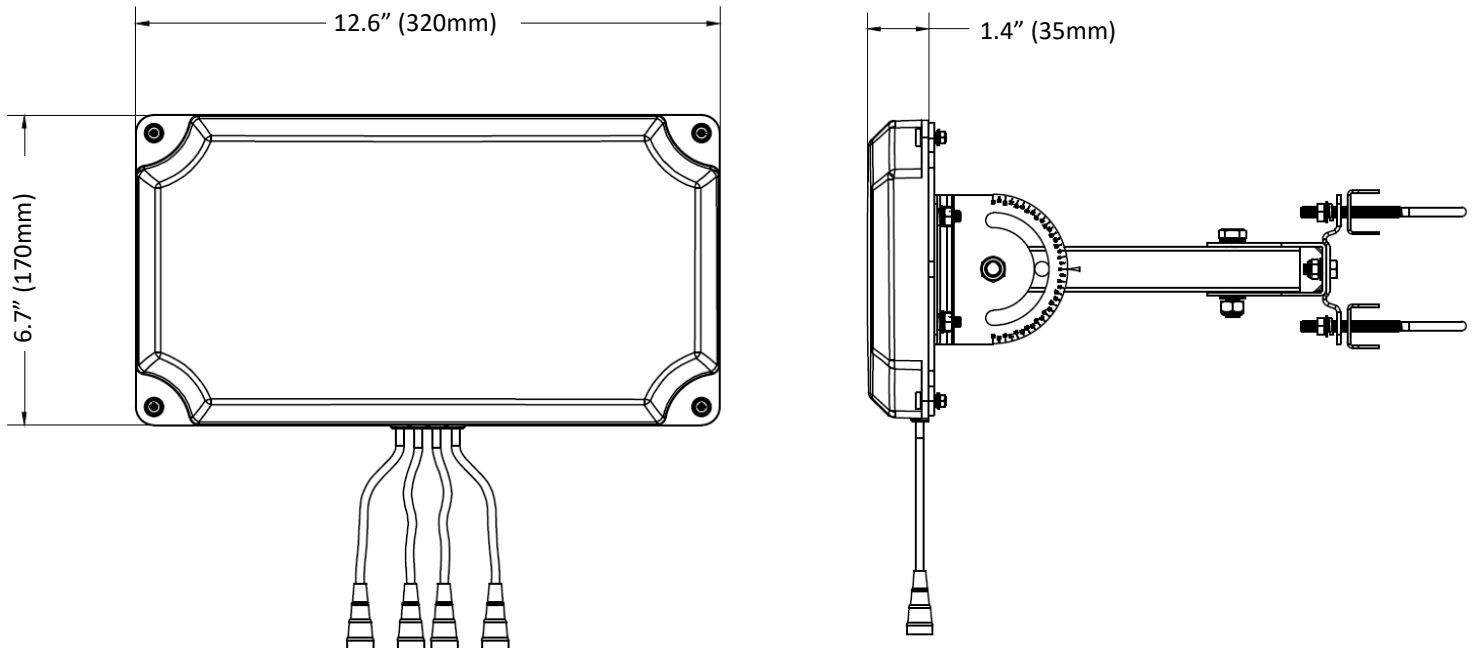


## 2.4GHZ

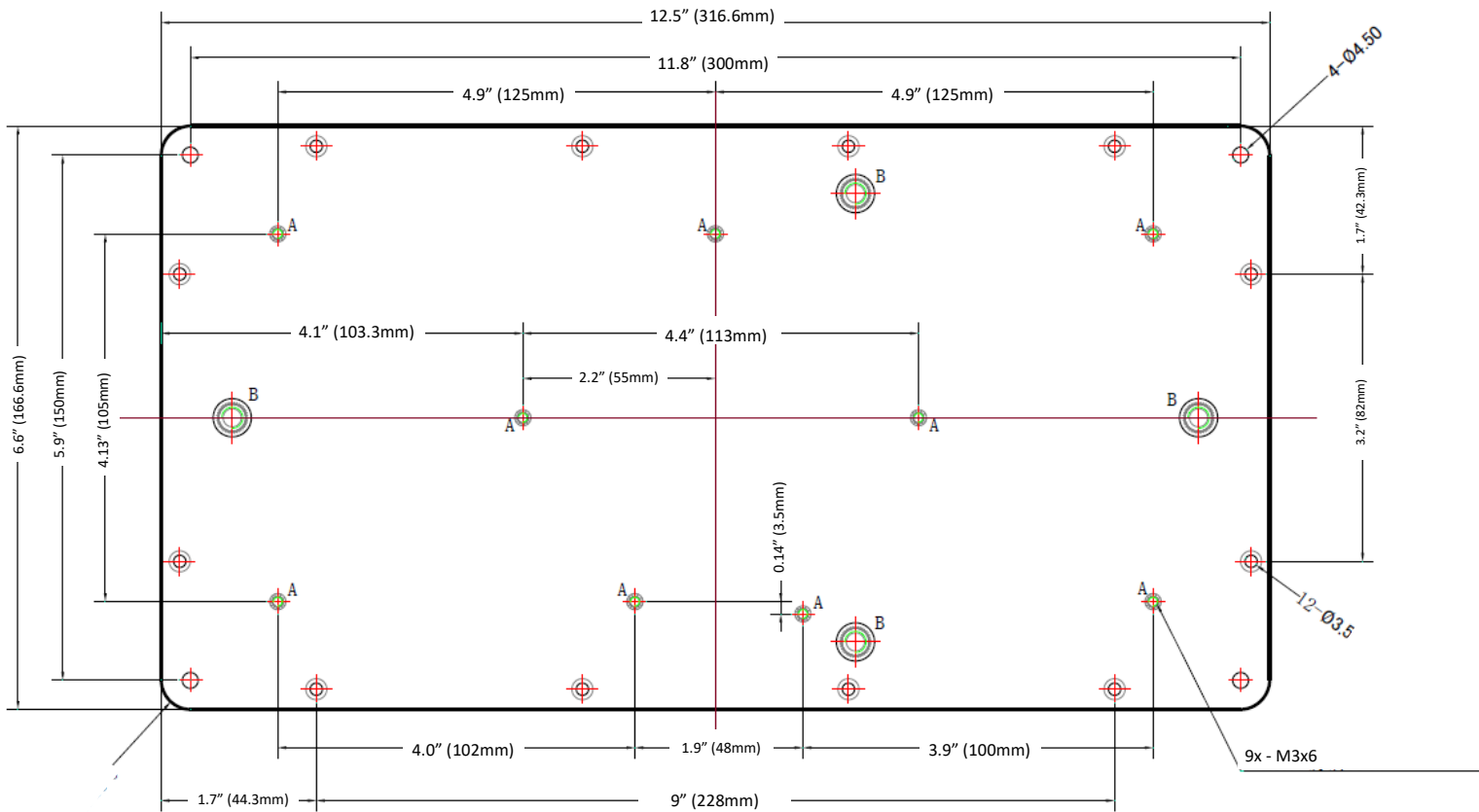


## 5GHZ





## Threaded Inserts:



\*NOTE: The threaded inserts labeled "B" in the above graphic are 1/4"-20TPI and are meant to be used with I-beam clamps for easy mounting to the I-beams